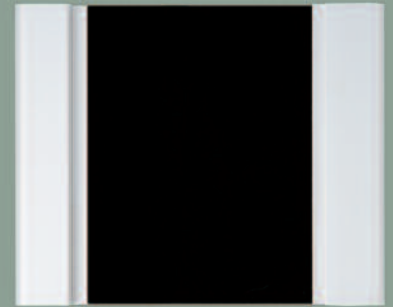
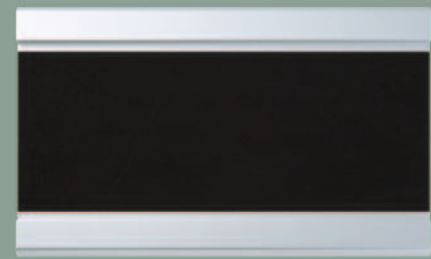
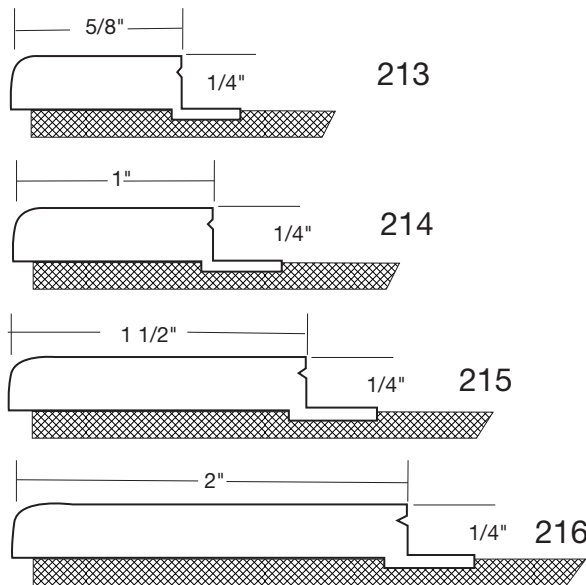


DECORATIVE BARS AND RAILS

Four sizes of decorative bars create bold metallic borders for your signs. Standard format of top and bottom bars will be manufactured unless left side, right side bars are specified. Use same size bar or mix two or more different sizes for a unique look. When ordering specify bar size.

- All four sizes can be made into a complete four sided frame.
- Bars are available in 9 anodized finishes: Satin Silver, and Matte Black are standard. Polished Silver, Polished Rose Gold, Polished Yellow Gold, Arch Bronze, JRS Bronze, Satin Yellow Gold, and Satin Rose Gold are available for a 35% upcharge. All parts are anodized individually to give finished ends.
- Please specify part number, inside dimension and color. Inside depth is 1/4" unless specified otherwise.
- Fax for quote on frames over 100 perimeter inches.
- Divided frames available. Maximum 2 dividers per each frame.
- Not all formats accommodate a lens.

Part No.	Size
Bars Only	
213	5/8"
214	1"
215	1 1/2"
216	2"
2-Sided Frame	
2132	5/8"
2142	1" bar
2152	1 1/2" bar
2162	2" bar
4-Sided Frame	
2134	5/8"
2144	1" bar
2154	1 1/2" bar
2164	2" bar



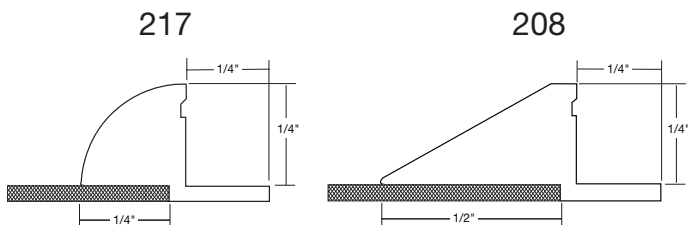
Deco Bar Two Sided Frames
2132, 2142, 2152, 2162



Deco Bar Four Sided Frames
2134, 2144, 2154, 2164

Decorative Rails

The Decorative Rail frame system is a clean, simple frame system that utilizes similar dynamics as our Deco Bar system in a more subtle appearance. Ideal for room identification, personnel nameplates, and evacuation plans, the Decorative Rail system is the solution when looking for a classic architectural look without breaking the budget.



Part No.	Size
Bars Only	
208	1/2"
217	1/4"
2-Sided Frame	
2082	1/2"
2172	1/2"
4-Sided Frame	
2084	1/2"
2174	1/4"

LENSES

Lenses are made of a semi-flexible .060 or .080 non-glare acrylic and designed with tabs that snap the lens securely into the frame.

Lenses snap out by the use of a suction cup placed in the center of the lens. Maximum lens size is 200 square inches.

Net price of lens is calculated by total square inches.

Please specify part number, inside dimension, inside depth, and color. Prices are for frames up to 100 perimeter inches. Please request quote for larger frames.

All holders and frames can be combined for quantity discounts.