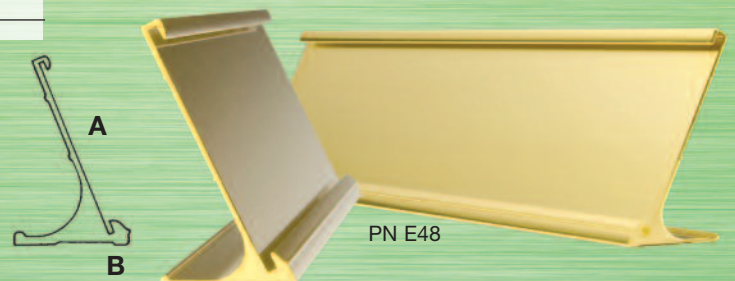
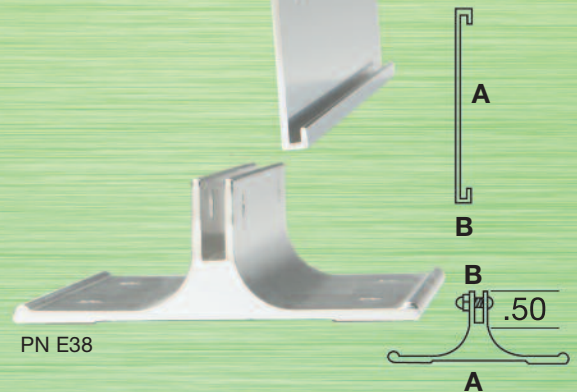
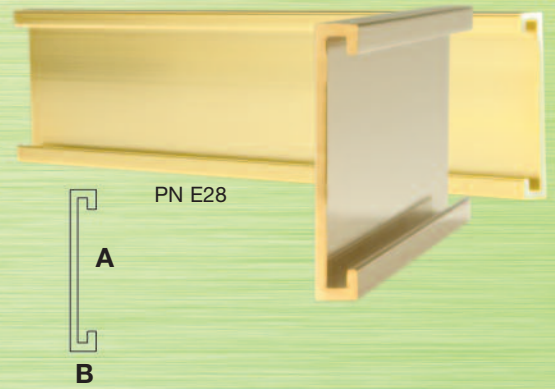


In our continuing effort to be a steward for the environment, we are introducing our Environmentals line of holders. Manufactured to our exacting standards for workmanship and quality from a special recycled aluminum billet that is an Environmentally Preferred Product, the Environmentals will help us as we strive to provide sustainable product solutions for your signage needs while caring for the future as well.

Available in 3 anodized finishes: **SATIN SILVER, ETCH BLACK, SATIN YELLOW GOLD.**

Applications:

- Room Identification
- Directional signage/directories
- Personal ID signs
- Departmental ID signs
- A solution for banks, financial institutions, call centers, office facilities, hospitals, schools, colleges, and libraries



Wall Holders

Part No.	Size		Available Lengths						
	A	B	4"	6"	8"	10"	12"	36"	
E28	1"	1/16"	4"	6"	8"	10"	12"	36"	
E29	1 1/2"	1/16"	4"	6"	8"	10"	12"	36"	
E36	2"	1/16"	4"	6"	8"	10"	12"	36"	
E37	3"	1/16"	4"	6"	8"	10"	12"	36"	
E49	4"	1/16"	4"	6"	8"	10"	12"	36"	

Part No.	Size		Available Lengths						
	A	B	2"	3"	4"	5"	10"	12"	36"
E38	2 1/2"	1/8"	2"	3"	4"	5"	10"	12"	36"

Desk Holders

Part No.	Insert Size		Available Lengths			
	A	B	6"	7"	8"	10"
E25	1"	1/16"	6"	7"	8"	10"
E70	1 1/2"	1/16"	7.5"	8"	10"	
E48	2"	1/16"	8"	10"	12"	

Custom lengths are available.

All holders and frames can be combined for quantity discounts.

See price list for current pricing and quantity discounts.