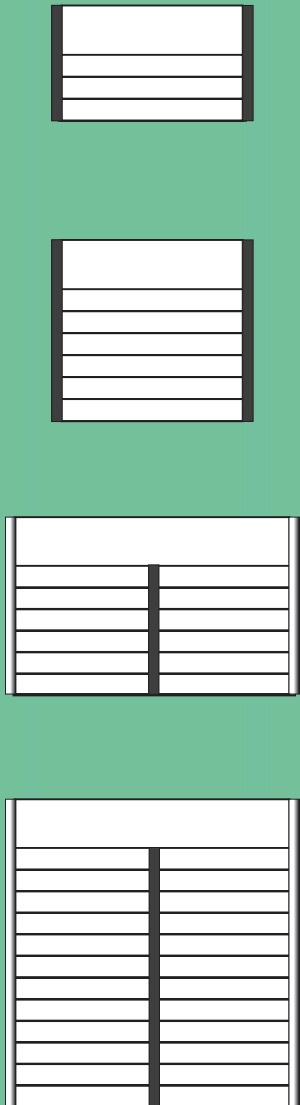
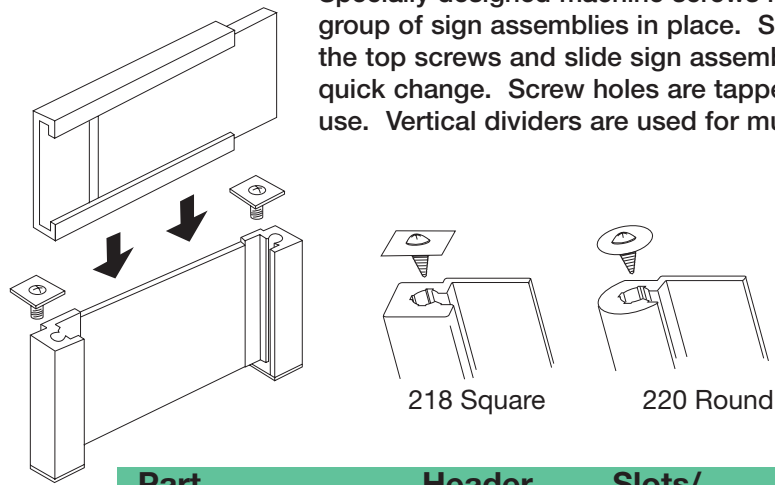


# EURO SIGN SYSTEM

Twelve mini directories round out the Euro Sign System. Sign assemblies are stacked to create multiple lines.

Specially designed machine screws lock the entire group of sign assemblies in place. Simply remove the top screws and slide sign assemblies out for a quick change. Screw holes are tapped for repeated use. Vertical dividers are used for multiple columns.



Part No.	Header Size	Slots/Size	Approximate Size
218D11 Square 220D11 Round	2"	3 Slots 3/4" x 8"	4 3/4" x 8"
218D21 Square 220D21 Round	2"	6 Slots 3/4" x 8"	7 1/4" x 8"
218D31 Square 220D31 Round	2"	12 Slots 3/4" x 6"	7 1/4" x 12"
218D41 Square 220D41 Round	2"	24 Slots 3/4" x 6"	12 1/2" x 12"
218D12 Square 220D12 Round	2"	3 Slots 1" x 8"	5 1/2" x 8"
218D22 Square 220D22 Round	2"	6 Slots 1" x 8"	8 7/8" x 8"
218D32 Square 220D32 Round	2 1/2"	12 Slots 1" x 6"	9 1/4" x 12"
218D13 Square 220D13 Round	2 1/2"	3 Slots 1 1/2" x 10"	7 1/2" x 10"
218D23 Square 220D23 Round	2 1/2"	6 Slots 1 1/2" x 10"	12 1/4" x 10"
218D42 Square 220D42 Round	2 1/2"	24 Slots 1" x 6"	16" x 12"
218D33 Square 220D33 Round	3"	12 Slots 1 1/2" x 8"	12 7/8" x 16"
218D43 Square 220D43 Round	3"	24 Slots 1 1/2" x 8"	22 1/2" x 16"

Prices are for frames up to 100 perimeter inches. Please request a quote for larger frames. Frames may be subject to crating charges.

All holders and frames can be combined for quantity discounts.

**See price list for current pricing and quantity discounts.**